

REV.	ECN NO. / DESCRIPTION	DATE
1	SN70033	3/1 '07

NOTES:

1.MATERIALS:

HOUSING:LCP UL94V-0 COLOR:BLACK

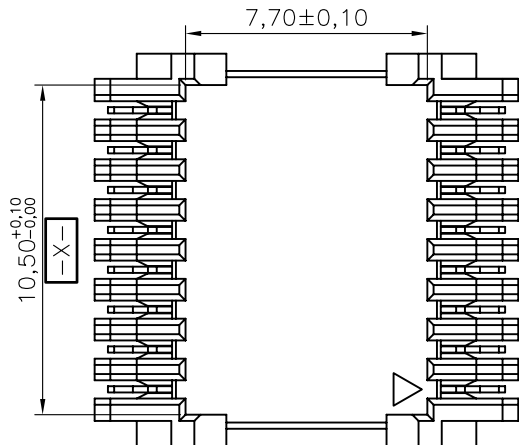
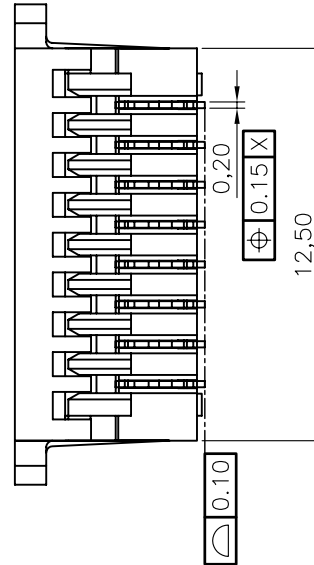
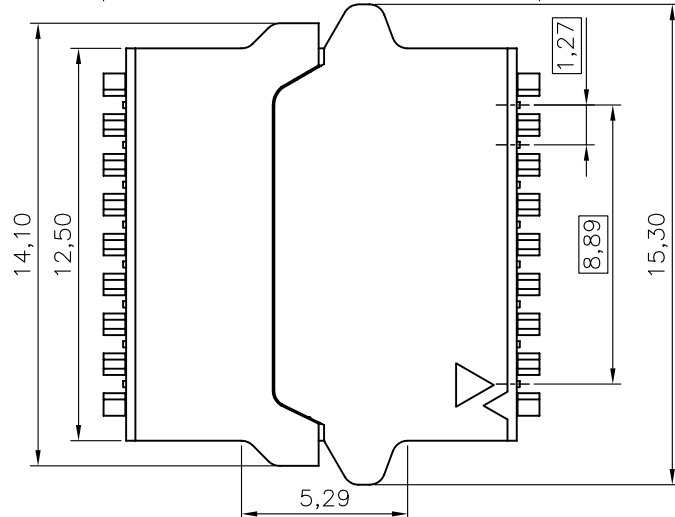
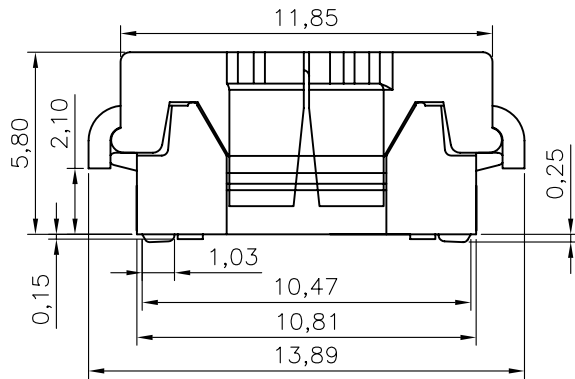
COVER:LCP UL94V-0 COLOR:BLACK

TERMINAL:C5210 T=0.20


2.FINISH:SEE TABLE 1.

3.TOLERANCES NON-CUMULATIVE.

4.ACCORDING TO THE ENVIRONMENTAL REQUIREMENT,WE GUARATEE THE CONTROLLED HAZARDOUS SUBSTANCES MEET ROHS REQUIREMENT

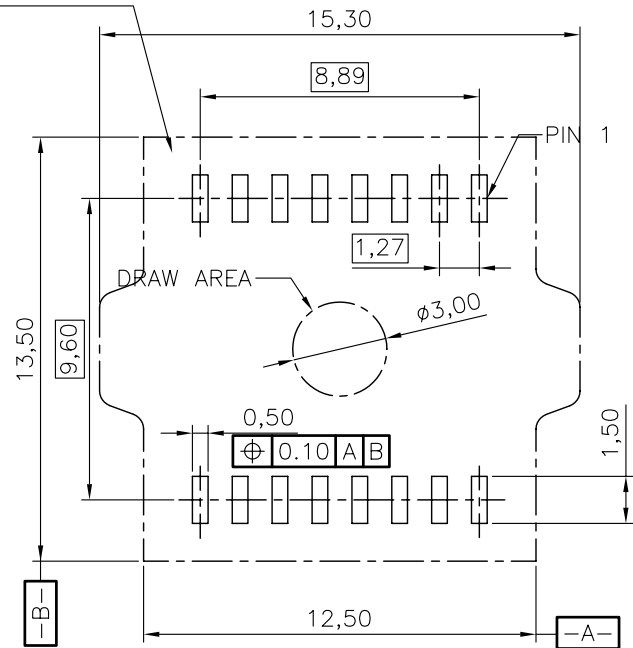


THE TOP VIEW WITHOUT COVERS

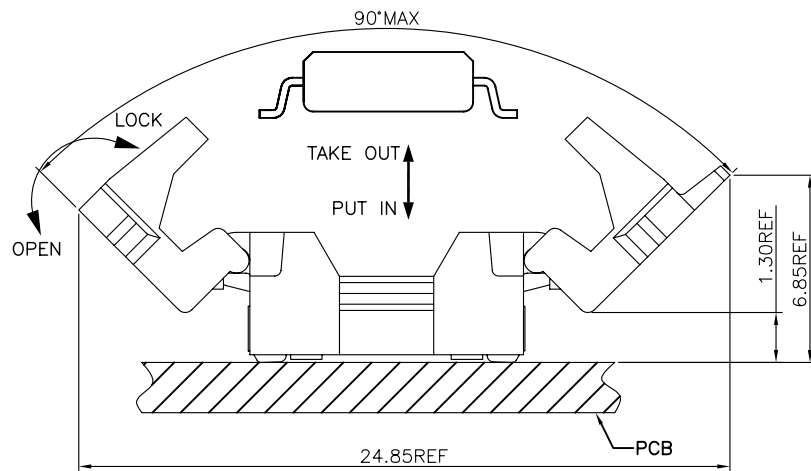
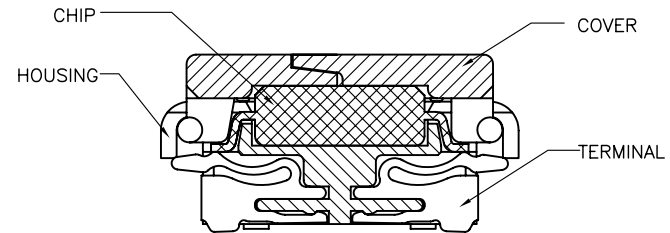
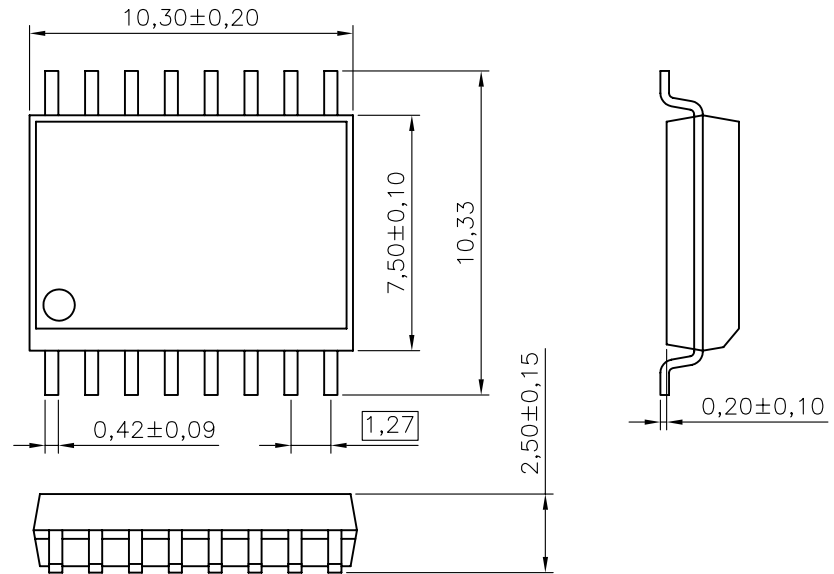
GENERAL TOLERANCES UNLESS SPECIFIED		PART NO. ACA-SPI-006-K01	CHUPOND AMERICA		
.X ±0.35	.X° ±3°				
.XX ±0.25	.X° ±2°	APPROVED BY SEAN 3/1 '07	TITLE SPI FLASH SOCKET FOR SOIC 16PIN		
.XXX ±0.15	.XX° ±1°	CHECKED BY KAKA 3/1 '07	DWG NO. AP-ACA-SPI-006-K		
CUSTOMER DRAWING		DRAWN BY ANNY 3/1 '07	SHEET 1 / 2	SCALE 4 : 1	REV 1
SIZE A4	UNITS MM [INCH]				

REV.	ECN NO. / DESCRIPTION	DATE
1	SN70033	3/1'07

RECOMMENDED MATING
ASSY'S OUTLINE



RECOMMENDED PCB LAYOUT FOR USE
CONNECTOR MOUNTING SIDE



GENERAL TOLERANCES UNLESS SPECIFIED		PART NO. ACA-SPI-006-K01	CHUPOND AMERICA			
.X ± 0.35	X.° ± 3°					
.XX ± 0.25	.X.° ± 2°	APPROVED BY SEAN 3/1'07	TITLE SPI FLASH SOCKET FOR SOIC 16PIN			
.XXX ± 0.15	.XX.° ± 1°	CHECKED BY KAKA 3/1'07	DWG NO. AP-ACA-SPI-006-K			
CUSTOMER DRAWING		DRAWN BY ANNY 3/1'07		SHEET 2 / 2	SCALE 4 : 1	REV 1
SIZE A4	UNITS MM [INCH]					