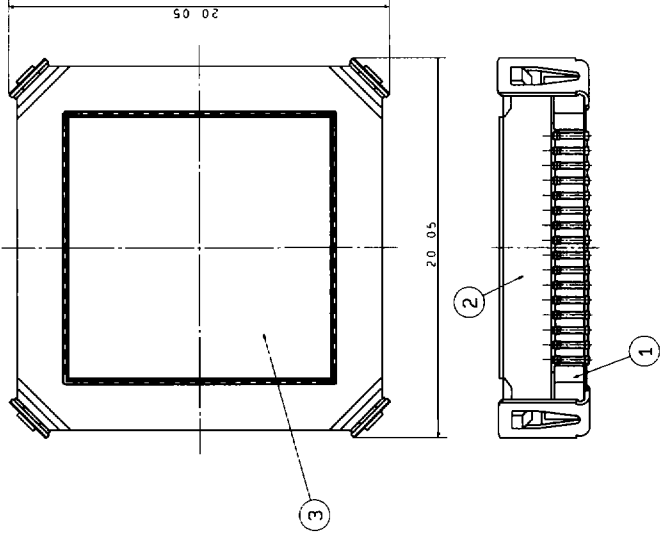
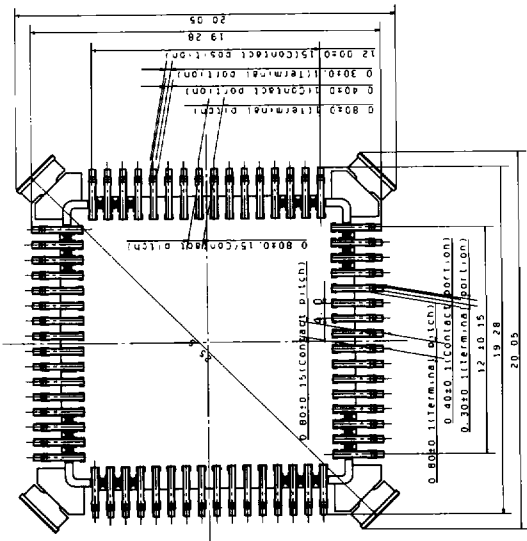


## Specifications for QFP Sockets

<b>MATERIALS</b>	
<b>Body:</b> Glass-filled PPS <b>Frame:</b> Glass-filled PPS <b>Contacts:</b> Copper alloy <b>Holder:</b> Copper alloy <b>Flammability:</b> UL 94V-0	<b>Plating:</b> TT = 2.03 $\mu\text{m}$ (80 $\mu\text{inch}$ ) Tin/Lead overall. 1.27 $\mu\text{m}$ (50 $\mu\text{inch}$ ) Nickel Underplate.
<b>MECHANICAL</b>	
<b>Shock Resistance:</b> 980m/s <sup>2</sup> (100G)	
<b>ELECTRICAL</b>	
<b>Current Rating:</b> 0.2 Ampere per contact <b>Insulation Resistance:</b> Minimum 1000m $\Omega$ <b>Contact Resistance:</b> Maximum 50m $\Omega$	
<b>ENVIRONMENTAL</b>	<b>APPLICABLE IC</b>
<b>Operating Temperature:</b> -55°C to + 85°C <b>Thermal Shock Resistance:</b> Contact Resistance: Max. 50m $\Omega$ Insulation Resistance: Min. 100M $\Omega$ <b>Humidity Resistance:</b> Contact Resistance: Max. 50m $\Omega$ Insulation Resistance: Min. 100M $\Omega$ <b>H<sub>2</sub>S Gas Resistance:</b> Contact Resistance: Max. 50m $\Omega$ <b>SO<sub>2</sub> Gas Resistance:</b> Contact Resistance: Max. 50m $\Omega$ <b>Soldering Heat Resistance:</b> Peak temperature of 245°C 300°C within 5 seconds	<b>64 contacts:</b> Motorola NEC: P64GC-80-AB8-1  <b>80 contacts:</b> NEC: P80G-80-12-2 P80G-80-1C-2 Hitachi: FP-80 FP-80-B Mitsubishi: 80P6-B 80P6N-C Fujitsu: FPT-80P-M06 FPT-80P-M07 FPT-80P-M08 Toshiba: QFP80-P-1420 QFP80-P-1420A QFP80-P-1420B QFP80-P-1420C Sanyo: 3044B



QFP — 64 8 — SMT N — TT  
 Number of Contacts: 64  
 8 - .8mm Contact spacing  
 N = NEC Type  
 Plating



ALL DIMENSIONS  
 IN MILLIMETERS

± 0.3 General Tolerance

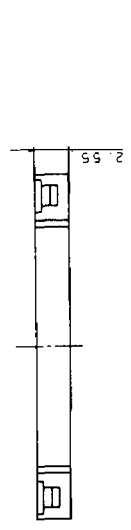
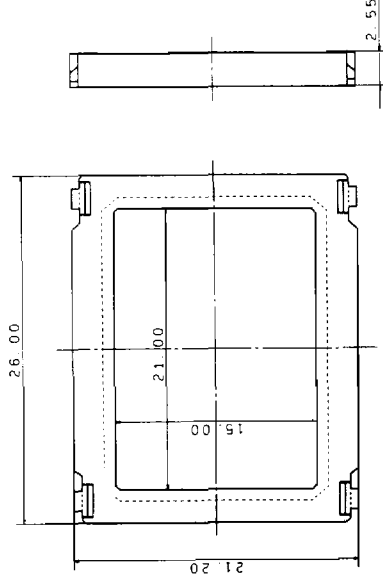
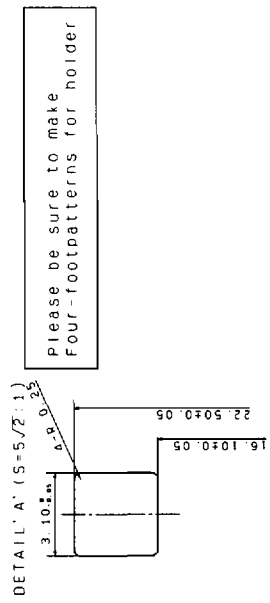
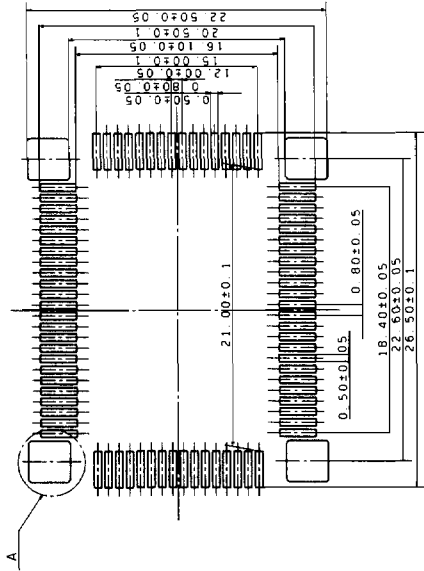
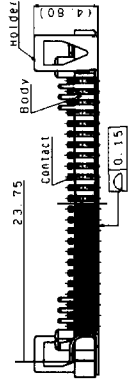
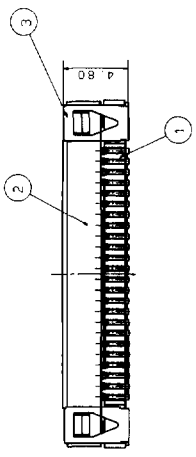
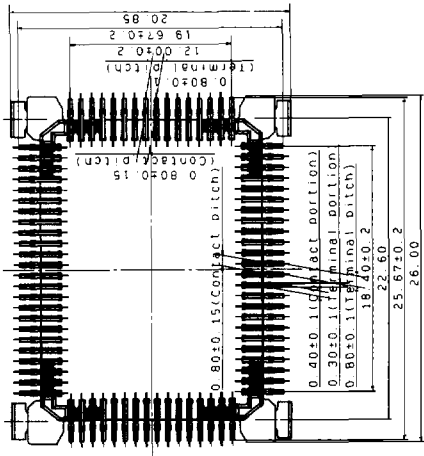
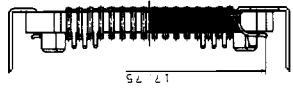
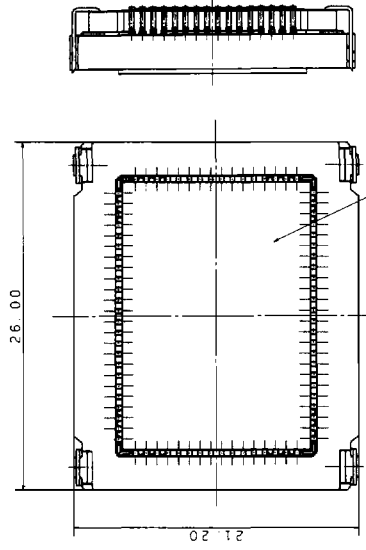
**Robinson  
 Nugent**  
 812/945-0211  
 812/945-0805 FAX

**QFP-648-SMTN-TT**  
 64 Position, SMT QFP Socket (.8mm contact spacing), NEC  
 Type, Socket and Frame

- 1 = Body
- 2 = Frame
- 3 = IC Socket

# SOCKETS

QFP-80 8 — SMT N — TT  
 Number of Contacts: 80  
 8 = 8mm Contact Spacing  
 Plating  
 N = NEC Type



± 0.3 General Tolerance

Recommended PC board pattern (TOP VIEW)

**Robinson Nugent**  
 812/945-0211  
 812/945-0805 FAX

**QFP-808-SMTN-TT**  
 80 Position, SMT QFP Socket (.8mm contact spacing),  
 NEC Type, Socket and Frame

ALL DIMENSIONS  
 IN MILLIMETERS

- 1 = Body
- 2 = Frame
- 3 = IC Socket